

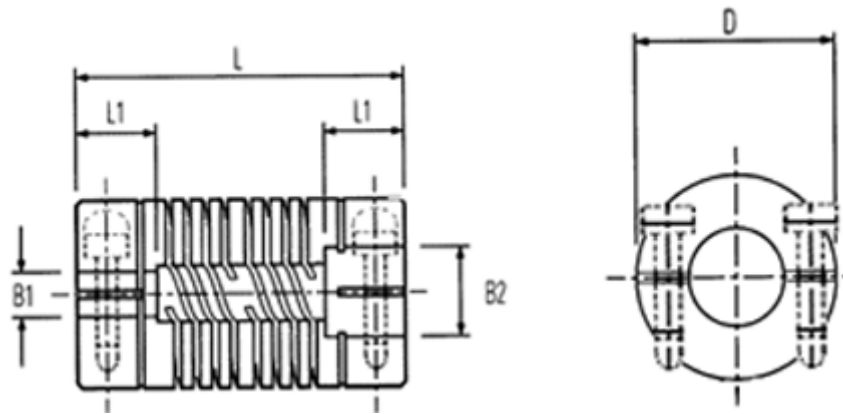
Data Sheet



Article number: 339703640000

Description: Multibeam 6 Coupling 703.64.0000
St. steel & clamp hubs

Measures



B2: Pre-drilled	= 12.0	Max parallel displacement = 7
B2: Pre-drilled	= 25.00	Peak Torque NM = 140.00
Cap screw	= M8	
D	= 63.5	
L	= 150.0	
L1	= 38.0	
Max angular displacement	= 1.00	
Max B1 & B2	= 36.00	